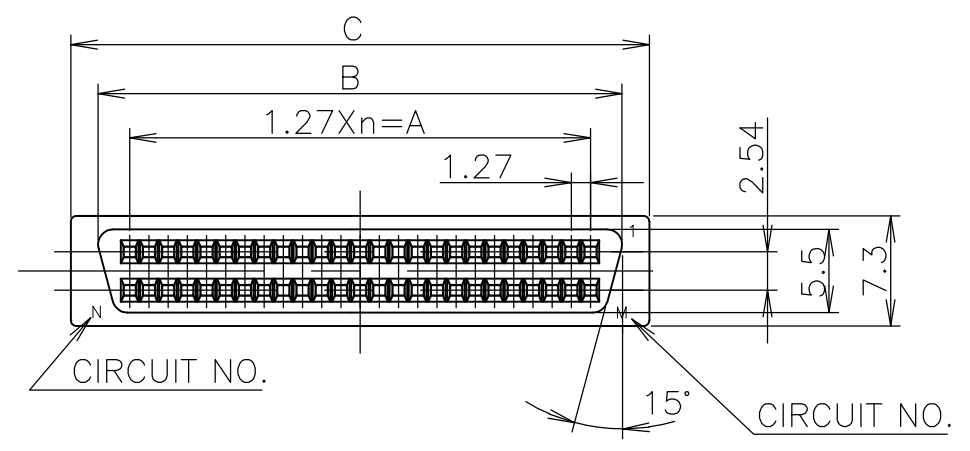
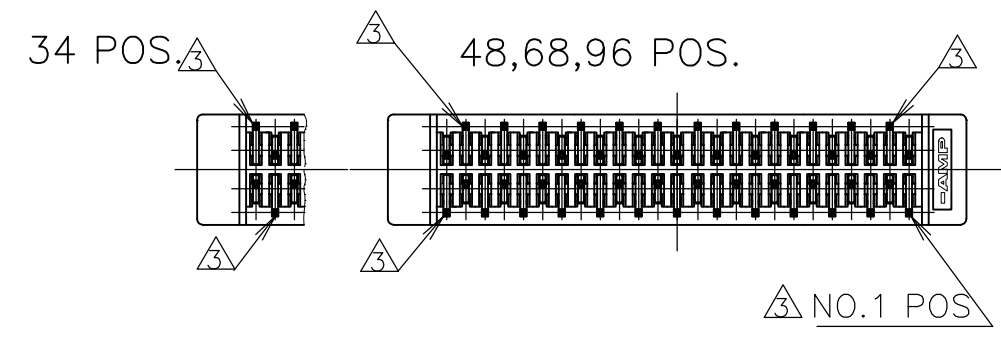
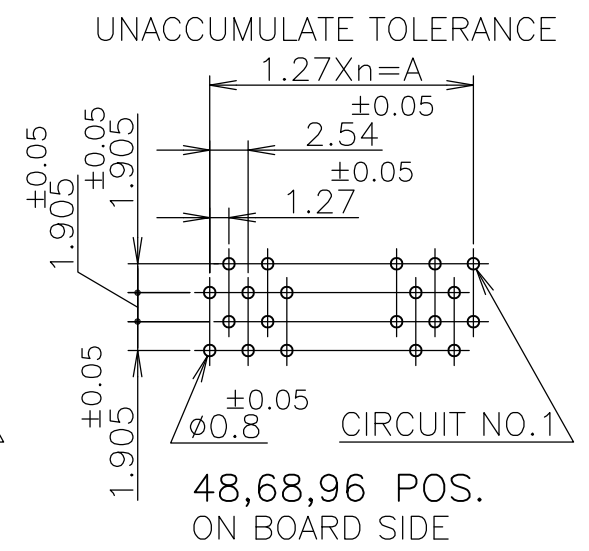
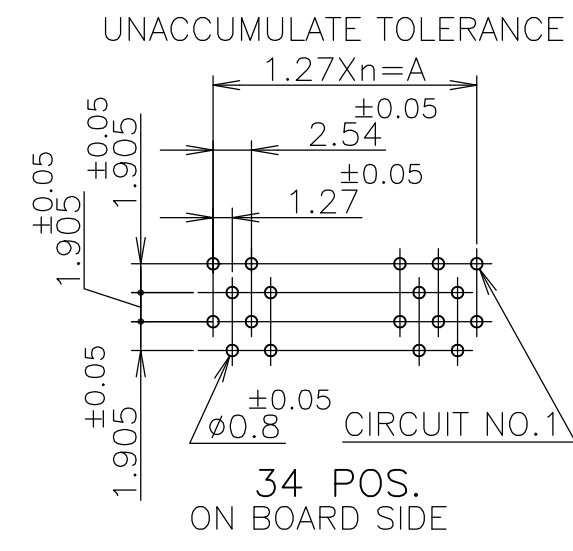
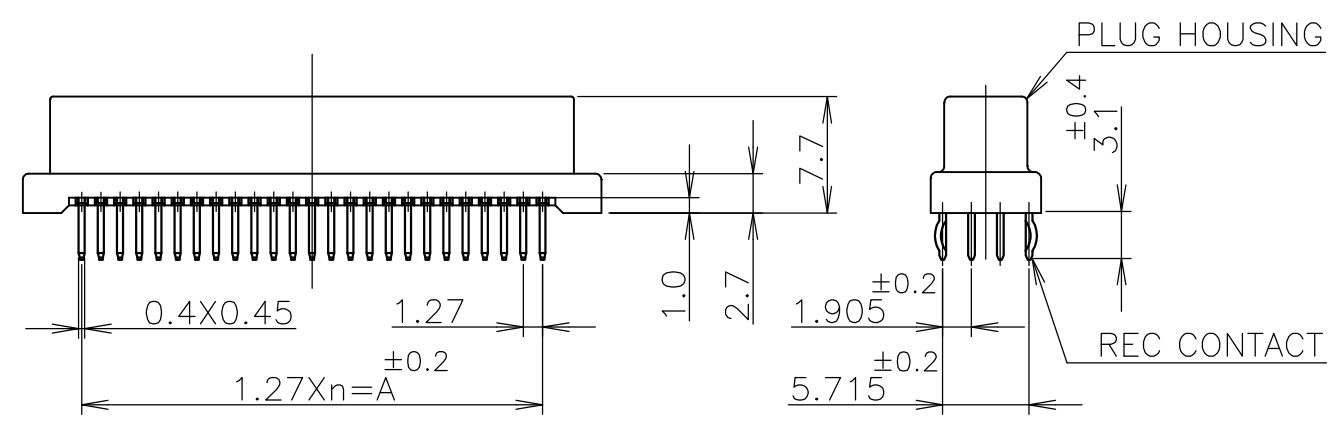


THIS DRAWING IS UNPUBLISHED. RELEASED FOR PUBLICATION JAN , 2005.  
 © COPYRIGHT 2005 By - ALL RIGHTS RESERVED.

LOC	DIST	REVISIONS					
		P	LTR	DESCRIPTION	DATE	DWN	APVD
J	-		R	REVISED PER ECO-15-002720	02MAR2015	AP	SB



- 1 MATERIAL AND FINISH  
 PLUG HOUSING ; THERMOPLASTIC (UL94V-0) COLOR:BLACK  
 REC. CONTACT ; COPPER ALLOY FINISH,OVER NICKEL  
 MATING END:0.0002 MIN. OR 0.00076 MIN. GOLD  
 TERMINATION END:TIN OVER SEALING TREATMENT.
- 2 P.C.B. LAYOUT AND P.C.B. TREATMENT(REF.)  
 USE A P.C.B. SURFACE ARE TREATED WITH SOLDER RESIST.
- 3 KINK POSITIONS(4 POSITIONS).
- 4 OBSOLETE PARTS: OBSOLETE CIS STREAMLINING PER D.RENAUD/D.SINISI



OBSOLETE	Au PL. 0.00076 MIN.	96	49	59.69	63.86	71.00	47	96	6-	-8
		68	35	41.91	46.08	53.22	33	68	6-	-7
OBSOLETE	Au PL. 0.0002 MIN.	48	25	29.21	33.38	40.52	23	48	6-	-6
		34	18	20.32	24.49	31.63	16	34	6-	-5
REMARK		N	M	A	B	C	n	POS.	PART NO.	

GENERAL TOLERANCE  
 一般公差  
 10 ≥ : ±0.2  
 30 ≥ > 10: ±0.25  
 100 ≥ > 30: ±0.3  
 ANGLES: ±3°

THIS DRAWING IS A CONTROLLED DOCUMENT.

DIMENSIONS: 単位: 耗 mm

TOLERANCES UNLESS OTHERWISE SPECIFIED: 一般公差

0 PLC ± -  
 1 PLC ± -  
 2 PLC ± -  
 3 PLC ± -  
 4 PLC ± -  
 ANGLES ± -

MATERIAL 材料

FINISH 仕上

DWN T.KAWAMAE 18JAN05  
 CHK I.ENOMOTO 18JAN05  
 APVD I.ENOMOTO 18JAN05

PRODUCT SPEC 製品規格 108-60036  
 APPLICATION SPEC 取付適用規格

WEIGHT

CUSTOMER DRAWING

SCALE 尺度 2:1

SHEET 1 OF 1

REV R

RESTRICTED TO



PLUG ASSY VERTICAL (W/KINK)  
 AMPLIMATE .050 SERIES I B-TO-B CONN.